



## PNOZ msi12p

**PILZ**  
THE SPIRIT OF SAFETY

► Accessories PNOZmulti

This document is the original document.

All rights to this documentation are reserved by Pilz GmbH & Co. KG. Copies may be made for the user's internal purposes. Suggestions and comments for improving this documentation will be gratefully received.

Source code from third-party manufacturers or open source software has been used for some components. The relevant licence information is available on the Internet on the Pilz homepage.

Pilz®, PIT®, PMI®, PNOZ®, Primo®, PSEN®, PSS®, PVIS®, SafetyBUS p®, SafetyEYE®, SafetyNET p®, the spirit of safety® are registered and protected trademarks of Pilz GmbH & Co. KG in some countries.



SD means Secure Digital

### Description

The connection cable is used to connect an incremental encoder to the speed monitors PNOZ ms2p, PNOZ ms3p, PNOZ ms4p or PNOZ s30.

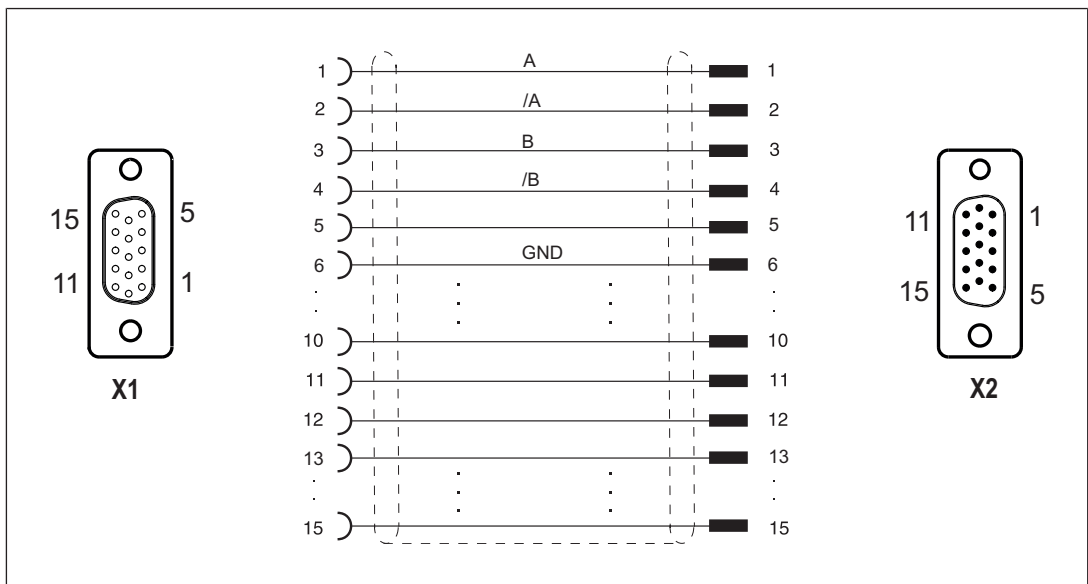
The contacts on connectors X1 and X2 are connected and have the same assignment. The signals that are relevant for the speed monitor are recorded in parallel and are fed to the RJ45 connector via the cable.



#### INFORMATION

Remove the protective cover of the RJ45 connector after installation in the control cabinet.

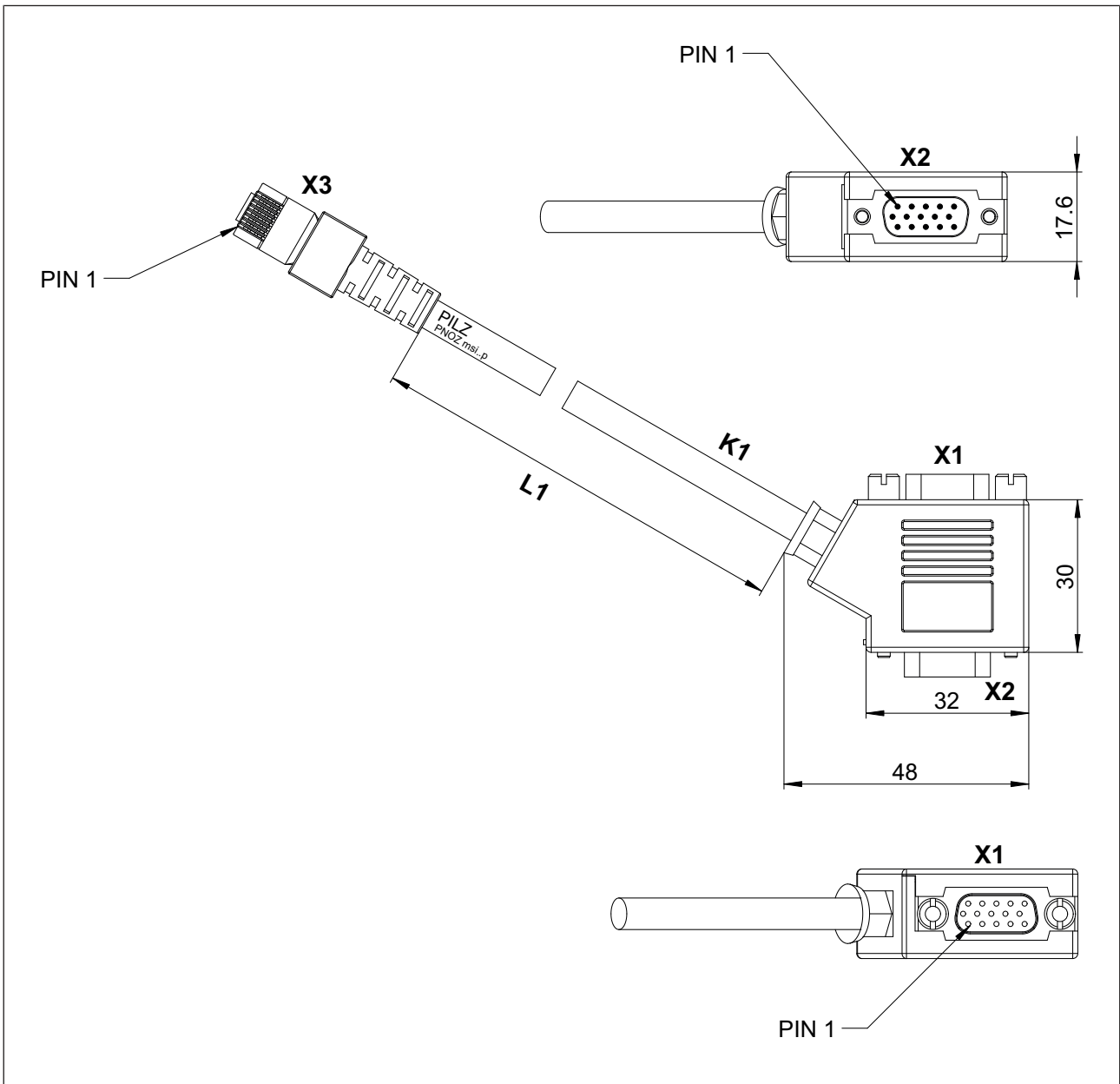
### Connector pin assignment



#### INFORMATION

The signals Z and /Z for the speed monitor PNOZ s30 are not recorded.

Dimensions in mm



## Technical details

<b>General</b>	
Certifications	-
<b>Electrical data</b>	
Operating voltage	<b>30 V</b>
Insulation resistance	<b>20 MOhm</b>
<b>Environmental data</b>	
Ambient temperature	
Temperature range	<b>0 - 60 °C</b>
Temperature range (moving)	<b>0 - 60 °C</b>
Storage temperature	
Temperature range	<b>-25 - 70 °C</b>
Condensation during operation	<b>Not permitted</b>
Protection type	
X1 when inserted	<b>IP20</b>
X2 when inserted	<b>IP20</b>
X3 when inserted	<b>IP20</b>
Housing	<b>IP20</b>
Mounting area (e.g. control cabinet)	<b>IP54</b>
<b>Mechanical data</b>	
Plug-in connector X1	<b>15-pin HD D-Sub female connector</b>
Form, plug-in connector X1	<b>Straight</b>
Plug-in connector X2	<b>15-pin HD D-Sub male connector</b>
Form, plug-in connector X2	<b>Straight</b>
Plug-in connector X3	<b>8-pin RJ45 male connector</b>
Design of plug-in connector X3	<b>Straight</b>
Fixing screws	<b>UNC 4-40</b>
Housing material X1	<b>PBT</b>
Housing material X2	<b>PBT</b>
Housing material X3	<b>PBT</b>
Material of contact surface X1	<b>Au</b>
Material of contact surface X2	<b>Au</b>
Material of contact surface X3	<b>Au</b>
Material of pin	<b>Brass</b>
Material of socket	<b>Brass</b>
Mating cycles X1	<b>50</b>
Mating cycles X2	<b>50</b>
Mating cycles X3	<b>1500</b>
Cable length L1	<b>2,5 m</b>
Colour of external cable insulation K1	<b>Green, similar to RAL6018</b>
Cable insulation material K1	<b>PUR</b>
Drag chain suitable K1	<b>yes</b>
Min. bending radius (fixed permanently) K1	<b>8 x Ø</b>
Min. bending radius (moving) K1	<b>10 x Ø</b>

<b>Mechanical data</b>	
Cable diameter K1	<b>5,8 mm</b>
Max. cable diameter K1	<b>6 mm</b>
Conductor cross section K1	<b>0,14 mm<sup>2</sup></b>
Conductor cross section AWG K1	<b>26</b>
Wire colour K1	<b>White, brown, green, yellow, grey, pink, blue, red</b>
Shielding K1	<b>yes</b>
Wire layer separation K1	<b>No</b>
No. of wires K1	<b>8</b>
Certification cable K1	<b>UL AWM-Style 20233</b>
Certification plug-in connector X1	<b>UL94 V-0</b>
Certification plug-in connector X2	<b>UL94 V-0</b>
Certification plug-in connector X3	<b>UL94 V-0</b>
<b>Material</b>	
Housing	<b>Zn</b>
<b>Dimensions</b>	
Height	<b>30 mm</b>
Width	<b>32 mm</b>
Depth	<b>17,6 mm</b>
Weight	<b>121 g</b>

### Order references

<b>Product type</b>	<b>Features</b>	<b>Connector X1</b>	<b>Connector X2</b>	<b>Connector X3</b>	<b>Order no.</b>
PNOZ msi12p Rockwell 15/15 2.5m	2.5 m	15-pin HD D- Sub female connector	15-pin HD D- Sub male con- nector	8-pin RJ45 male connector	773 868